



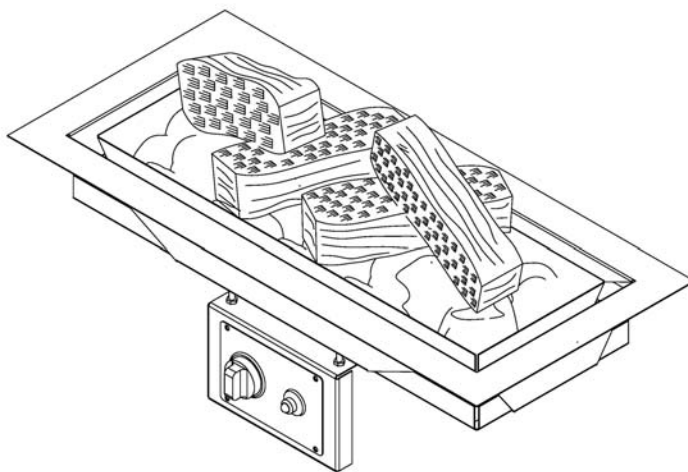
HAPPY COCOONING

COCOON TABLES

RECTANGULAR BUILT-IN GAS FIRE BURNER KIT

ASSEMBLY INSTRUCTIONS AND SAFETY GUIDE

SR4001BI, SR4001BII2+



CE 0063/16

SR4001BI/I2+ Preferential $\Sigma Q_n(H_s) = 12 \text{ kW}$, 873 g/h(butane) I₃₊(28-30/37), I₃ B/P(30), I₃ B/P(50), I_{2L} & I_{2H}/I_{2E}/I_{2E+}

BE, CY, CZ, EE, GR, IT, IE, PT, ES, LU, GB, FR, IS, LT, PT, SK, CH: Cat. I₃₊ Butane(G30)=28~30 mbar, Propane(G31)=37 mbar, Injector: 1.65 mm

CY, CZ, DK, EE, FI, GR, LV, LT, LU, MT, NL, NO, SK, SI, SE, TR, HU: Cat. I₃ B/P(30)=Butane, propane or their mixture at 30mbar, Injector: 1.65 mm

AT, DE, SK, CH: Cat. I₃ B/P(50)= Butane, propane or their mixture at 50mbar, Injector: 1.4mm

AT, BE, CH, CZ, DE, DK, EE, ES, FI, FR, GB, GR, HU, IE, IT, LT, LU, LV, NL, NO, PL, PT, RO, SE, SI, SK: Cat. I_{2L} Natural Gas(G25) at 25mbar, Injector: 2.85mm and I_{2H}/I_{2E}/I_{2E+} Natural Gas(G20) at 20mbar, Injector: 2.7mm

“ Only nationally approved hose and regulator corresponding to the appliance category and pressure must be used ”

This manual is for: GB, NL, LU, BE

PIN NO.: 0063CO7431

FOR OUTDOOR USE ONLY

Read the instructions before using the appliance. Keep the instructions for future reference.

Warning: Accessible parts may be very hot, keep young children away.

ASSEMBLY AND USER INSTRUCTIONS
FOR
OUTDOOR BUILT-IN GAS FIRE BURNER KIT

Your new SR4001BI/I2+ RECTANGULAR BUILT-IN GAS FIRE BURNER KIT is made from the highest quality materials, and produced under strict manufacturing controls.

Please read the Instructions for assembly before commencing, and follow the instructions for use carefully. We congratulate you on your decision to buy this outdoor built-in gas fire burner kit and wish you great fun when warming with it.

PLEASE READ THESE SAFETY INSTRUCTIONS
IN FULL BEFORE COMMENCING ASSEMBLY.

Important Safety instructions

The built-in gas fire burner kit is safe and easy to use. The following rules must be followed.

1. Ensure that the unit has been assembled correctly according to the instructions.
2. Never loosen, or allow the gas connection to become loose. Should this happen, immediately ensure that the gas is turned off at the cylinder or main shut off valve of city network gas, and then re-check the security of the connection.
3. The appliance shall be kept away from flammable materials.
4. Read the Users instruction, Sections, and instructions written on the built-in gas fire burner kit, refer to them whenever necessary.
5. Never leave the built-in gas fire burner kit unattended while using.
6. In the event of a gas leak, the appliance shall not be used or if alight, turn off gas supply at the LPG cylinder or the nearest main shut off valve of city network gas. And the appliance shall be investigated and rectified before it is used again.
7. Keep children well clear while built-in gas fire burner kit is in use and after use until it has cooled.
8. Keep warming area, 1m away from the appliance, clear of combustible materials and/or liquids.
9. Never obstruct free flow of air to the built-in gas fire burner kit, or alter/adapt the built-in gas fire burner kit to suit any other situation.
10. SR4001BI: A hose conforming to the national standard must be connected at one end to the LPG regulator and at the other to the fire pit nipple using hose clips. The hose length is 1.5m.

SR4001BI/I2+: A hose conforming to the national standard must be connected at one end to the main shut off valve of city network gas and at the other to the fire pit inlet with a national standard NG connector. For the hose exposed, please be sure to use (a) rubber/PVC layer(s) to cover on it to prevent people from stumbling. The proper rubber/PVC layers are available from the same dealer or qualified installer.

The material of any description should not be thrown on to the fuel bed.

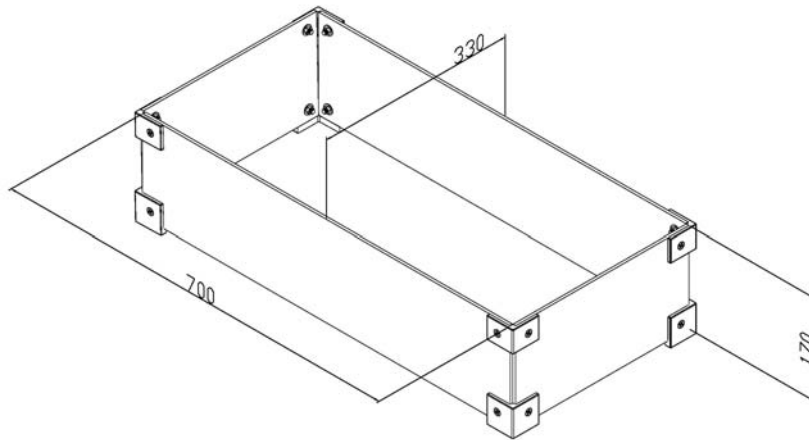
The appliance should not be used in bathroom or bedrooms.

The appliance is only intended to be used as secondary heating.

Unless a dress guard is fitted, this appliance shall be installed with a hearth that projects at

least 300 mm in front of the naked flame/incandescent fuel bed, extends at least 150 mm at either side, and around its periphery is a height of at least 50 mm above finished floor level.

11. Lead the hose away from the built-in gas fire burner kit without twisting it. Do not let the hose touch the hot surface.
12. Never change the air valve settings of the burner.
13. Every time the gas connection is reconnected do a leak test.
14. Those parts sealed by the manufacturer or the agent must not be altered by the user.
15. Any modification of this built-in gas fire burner kit may be dangerous.
16. Do not move this built-in gas fire burner kit during use.
17. Turn off the gas supply at the cylinder or main shut off valve of city network gas after use.
18. Do not touch the logs or lava rocks until they cool down.
19. This appliance is intended for warming purposes.
20. This appliance has a naked flame. Fit the glass screen kit supplied with the appliance for the protection of young children, aged or infirm persons.
21. When first use, preheat the lava rocks and logs for 15 minutes to burn out the impurities and air in the natural lava rocks and handmade logs.
22. To change the gas cylinder in an amply ventilated area, away from any ignition source (candle, cigarettes, other flame producing appliances).
23. This appliance must be installed and the gas cylinder stored in accordance with the national regulations in force.
24. Shut off the valve at the gas cylinder or the regulator before moving the appliance.
25. Use only the type of gas and the type of cylinder specified by the manufacturer.
26. The use of this appliance in enclosed areas can be dangerous and is PROHIBITED.
27. If you use the Cocoon Table under a porch/veranda be aware that at least 25% of the area is open.



Glass screen kit

Contents

1. Technical Data	Page 3-3
2. Instructions for assembly	Page 4-10
3. Installation and operation instructions	Page 11-15
4. Maintenance	Page 15-16

The built-in gas fire burner kit is an I3+(28-30/37), I3 B/P(30), I3 B/P(50), I2L(G25) & I2H/I2E/I2E+(G20) appliance, designed to operate on Butane at 28/30mbar, Propane 37mbar, B/P 30/50mbar, I2L at 25mbar & I2H/I2E/I2E+ at 20mbar. Gas consumption, pressures and injectors orifices sizes are shown below:

SR4001BI/I2+ RECTANGULAR BUILT-IN GAS FIRE BURNER KIT

		Injector Orifice	Heat Input(Hs)	Gas Rate
SR4001BI	I3+(28-30/37), I3B/P(30)	1.65mm	12 kW	873 g/h
	I3 B/P(50)	1.4mm	12 kW	873 g/h
SR4001BI2+	I2L	2.85mm	12 kW	
	I2H/I2E/I2E+	2.7mm	12 kW	

The marking on the injector, for example, “1. 65” indicates that the size of injector is 1.65mm.

LP Gas Regulator

A gas regulator conforming to the national standard must be fitted to the gas cylinder to provide the appropriate gas pressure.

The outlet pressure of the LPG regulator must comply with the table below:

I3B/P(30)	I3B/P(50)	I3+	
LPG	LPG	Butane	Propane
28~30mbar	50mbar	28~30mbar	37mbar

Do Not use this appliance with an adjustable regulator. We suggest use this appliance with LP gas cylinder of **5KG**. Cylinder’s maximum height 70cm and maximum width 60cm

Instructions for assembly

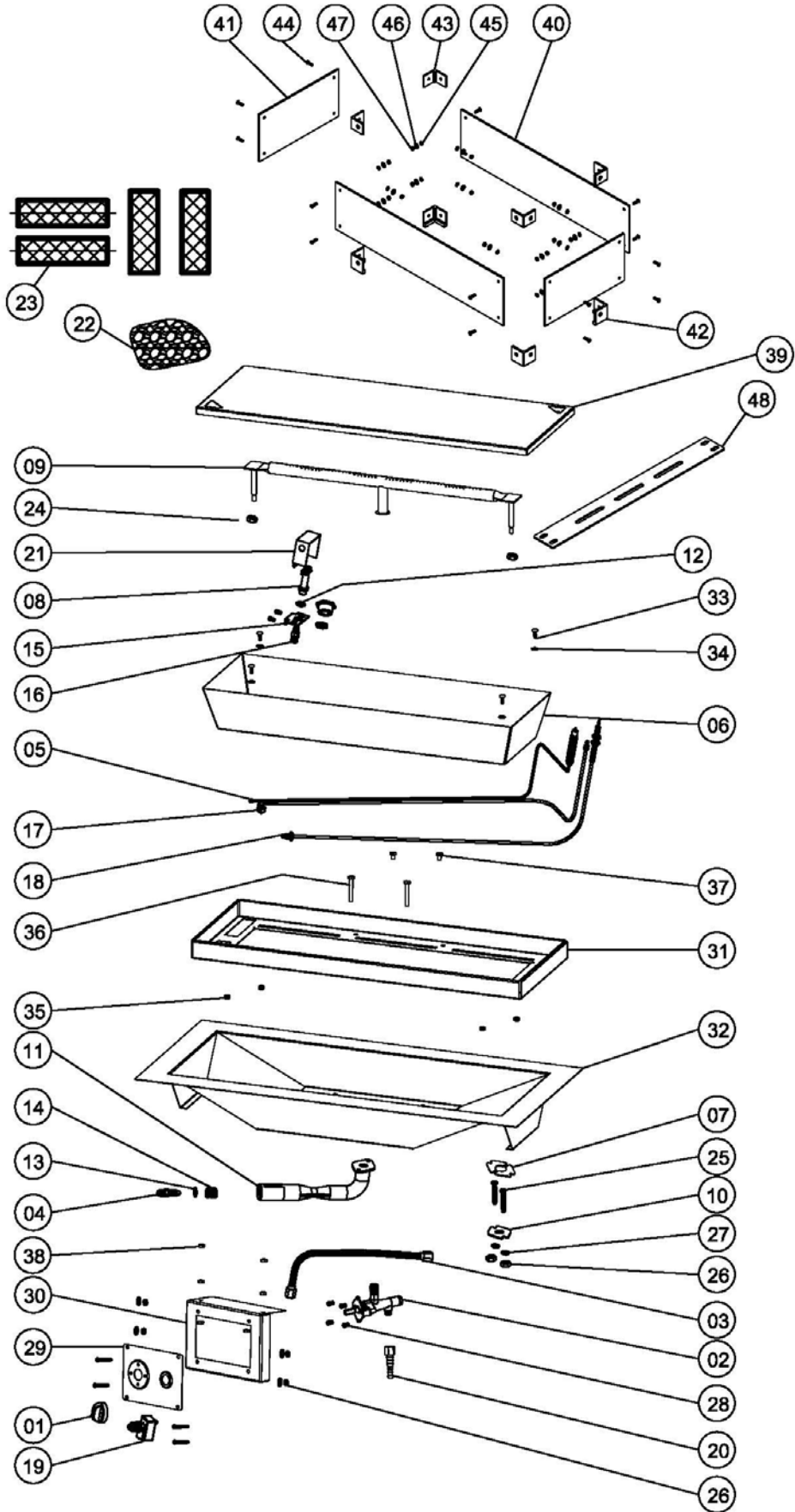
Read these instructions through carefully before commencing assembly, and then follow them step-by-step.

SR4001BI/I2+ - parts list

No.	Description	Q'TY	No.	Description	Q'TY
01	Knob	1	25	Screw M5F17	2
02	Valve	1	26	Nut M5	2
03	SS flexible tube	1	27	Washer	2
04	Injector, Main	1	28	Screw M4F08	4
05	Igniter needle with wire	1	29	Control panel	1
06	Burner bowl	1	30	Plate, Control panel	1
07	Fix plank, Burner head	2	31	Bracket, Burner Bowl	1
08	Pilot Igniter	1	32	Frame	1
09	Burner head	1	33	Screw M4F10	4
10	Leakage Protector	1	34	Washer M4	4
11	Windpipe	1	35	Nut M4	4
12	Nut, Pilot Igniter	1	36	Screw M6F41	2
13	Washer	1	37	Screw M6F10	2
14	Spring	1	38	Nut M6	8
15	Support plank, Igniter box	1	39	Lid	1
16	Injector, Pilot Flame	1	40	Glass Screen Kit-Glass (Long)	2
17	Copper tube, Pilot Flame	1	41	Glass Screen Kit-Glass (Short)	2
18	Thermocouple	1	42	Glass Screen Kit-Clip Bottom	4
19	Pulse battery box	1	43	Glass Screen Kit-Clip Top	4
20	Gas Inlet fitting	1	44	Glass Screen Kit-Screw M6F17	16
21	Igniter box	1	45	Glass Screen Kit-Bakelite Washer M6	16
22	Lava rock, 3 KG	1	46	Glass Screen Kit-Washer M6	16
23	Log set	4	47	Glass Screen Kit-Nut M6	16
24	Nut M6	2	48	Table Support Bracket Kit	2

Note: The part No. 48 is an optional accessory, available from the same dealer or qualified installer.

SR4001BI/I2+ series- exploded



ASSEMBLY INSTRUCTIONS

GAS HOSE CONNECTIONS

SR4001BI: Attach the hose to the manifold inlet nipple and tighten hose clip, or secure the hose to the manifold inlet fitting as shown in FIG.01 & FIG.02 below.

SR4001BI2+: Attach the hose to the manifold inlet fitting with a national standard NG connector and secure the hose to the manifold inlet fitting as shown in FIG.03 below. **NOTE:** Installation and service must be performed by a qualified installer, service agency or your gas provider.

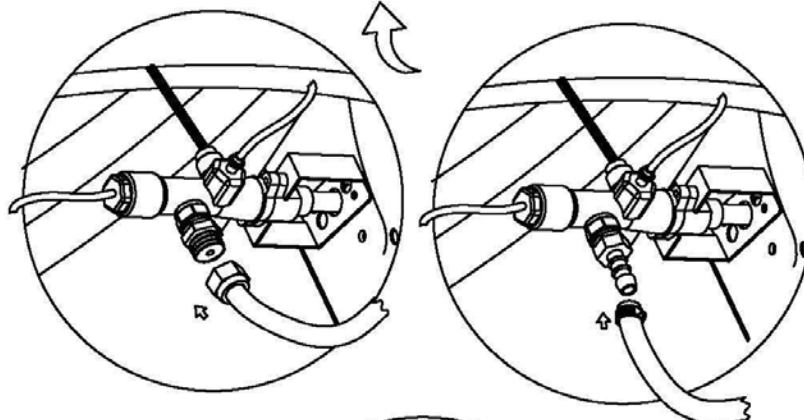
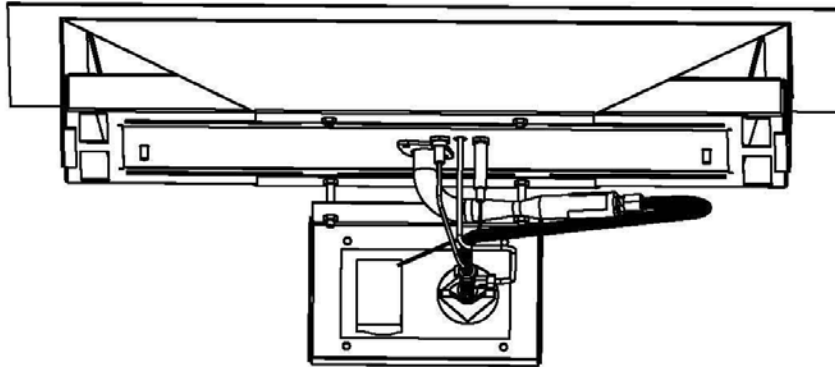


FIG.01

FIG.02

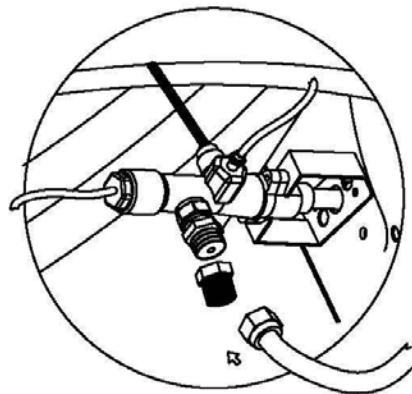


FIG.03

ASSEMBLY INSTRUCTIONS

INSTALLATION TO YOUR WOODEN TABLE

Get the cardboard: 61cm x 24cm from the package and use it to draw and saw off the built-in area on the center of your wooden table. After the gas hose connection, place the built-in gas fire burner kit onto the opening of your wooden table as shown in FIG. 01

NOTE: You may need to use and attach the optional table support bracket kit as shown in FIG. 02 to secure the slats you saw off. Adjust and secure underneath the slats you saw off at proper positions by screws. The optional table support bracket kit is available from the same dealer or qualified installer. **NOTE:** The thickness of the table countertop should not be less than 1 cm; the height of the table should not be less than 62 cm, and not be higher than 100 cm.

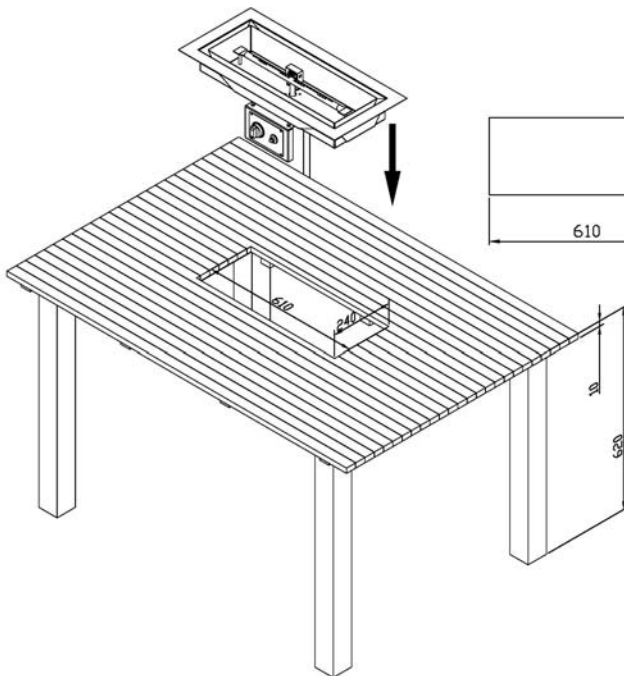


FIG.01

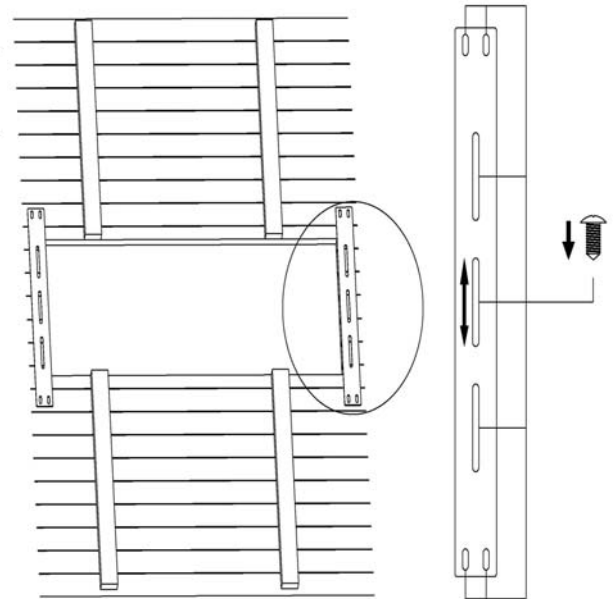
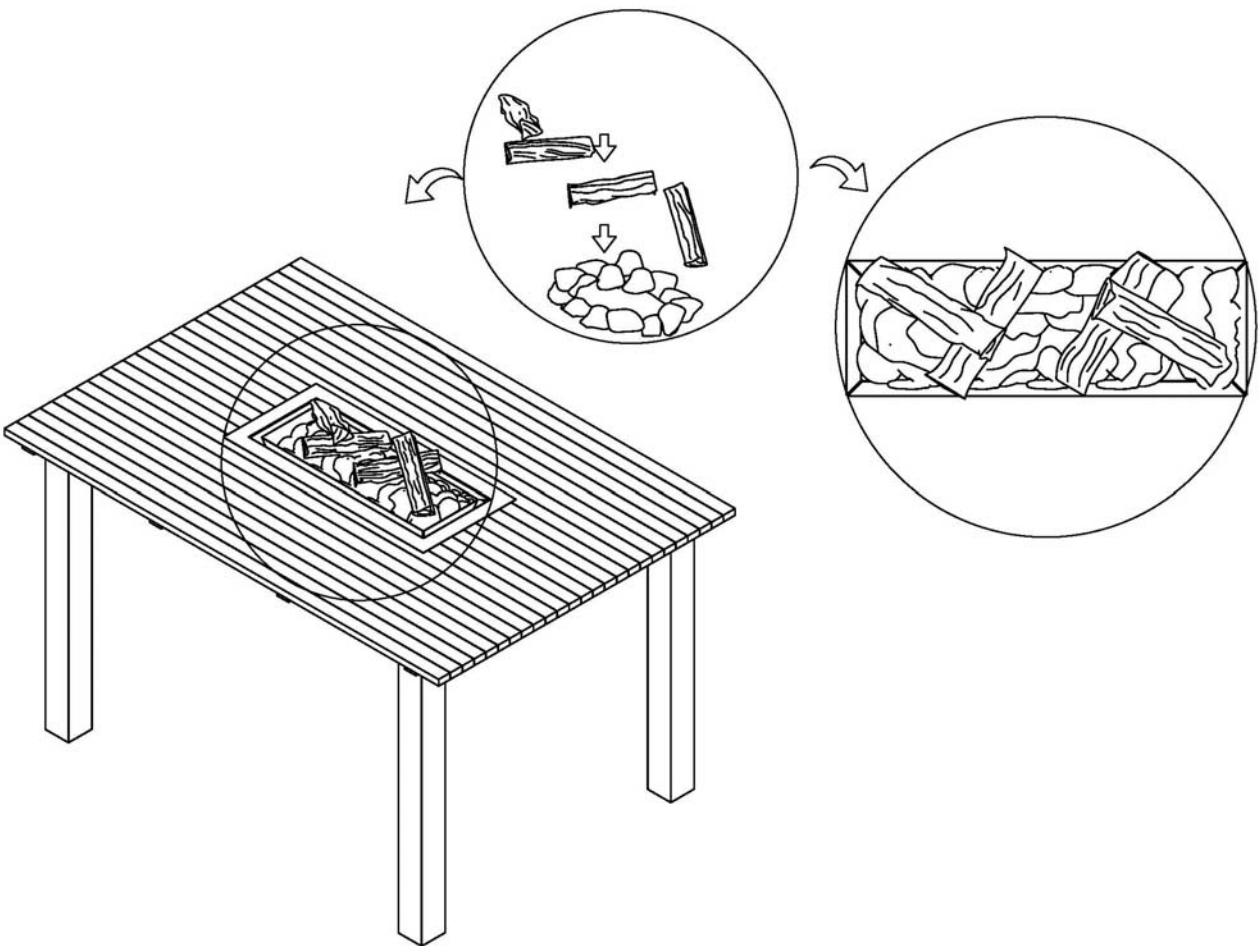


FIG.02

ASSEMBLY INSTRUCTIONS

INSTALLATION OF LAVA ROCKS AND LOGS

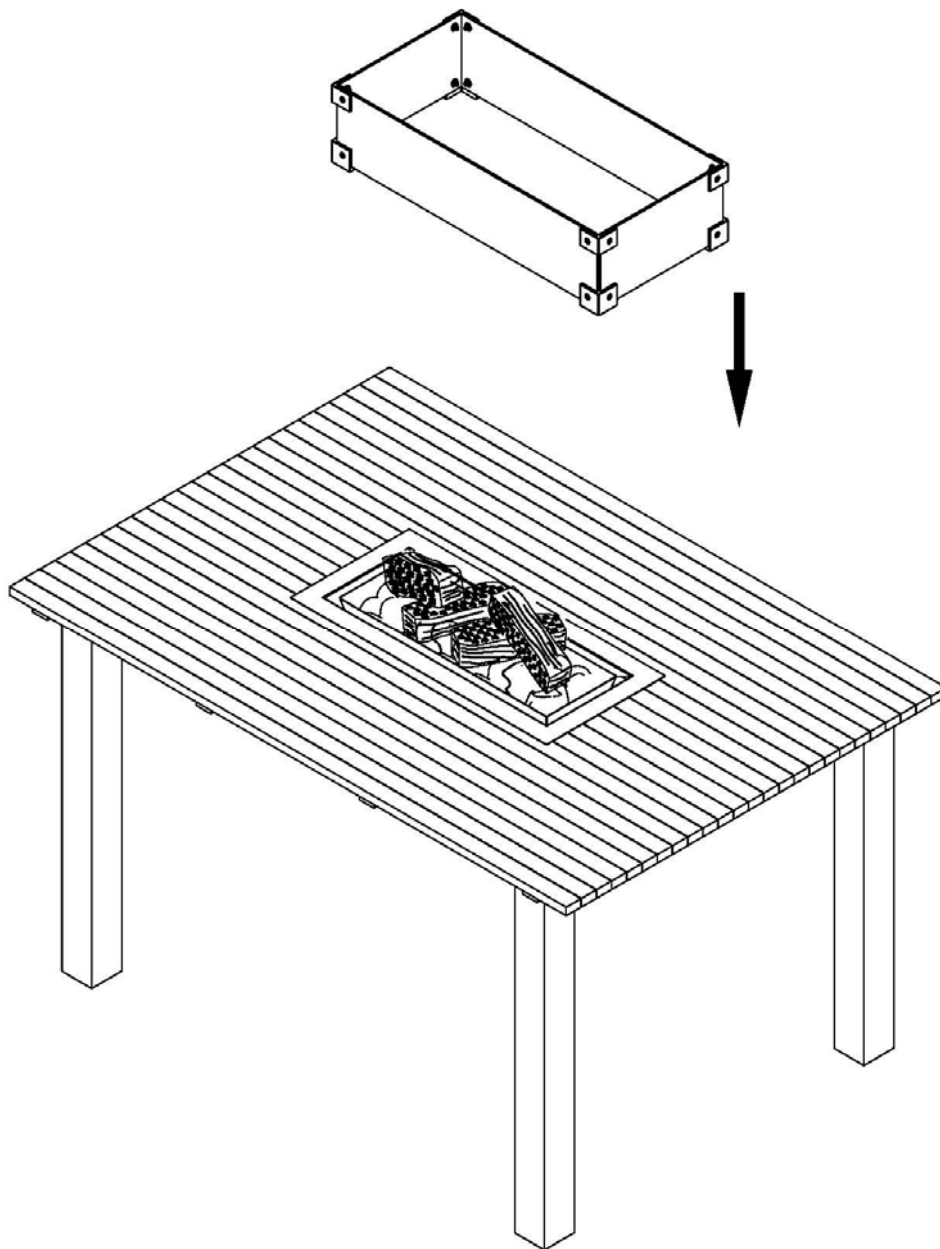
Unpack and put the lava rocks on ground. Pick up the solid lava rocks then layer them in level across the burner bowl. Do not completely cover burner element or block the igniter box with lava rock. Next, install the imitation fire logs. These should be laid in as shown in the image below. Start by laying one log in the centre of the unit. This log should be perpendicular to the igniter box. Lay the other logs, in a teepee configuration over the first log. It is important that the logs not lay directly on top of the burner. By blocking the burner it will impact air flow and will cause the unit to be difficult to ignite or will impact how the flame comes through and burns. Once all the logs are in place as shown you can begin next steps. **NOTE:** Be sure unit is cool before touching any of the components. **NOTE:** When first use, preheat the lava rocks and logs for 15 minutes to burn out the impurities and air in the natural lava rocks and handmade logs.



ASSEMBLY INSTRUCTIONS

INSTALLATION OF GLASS SCREEN KIT

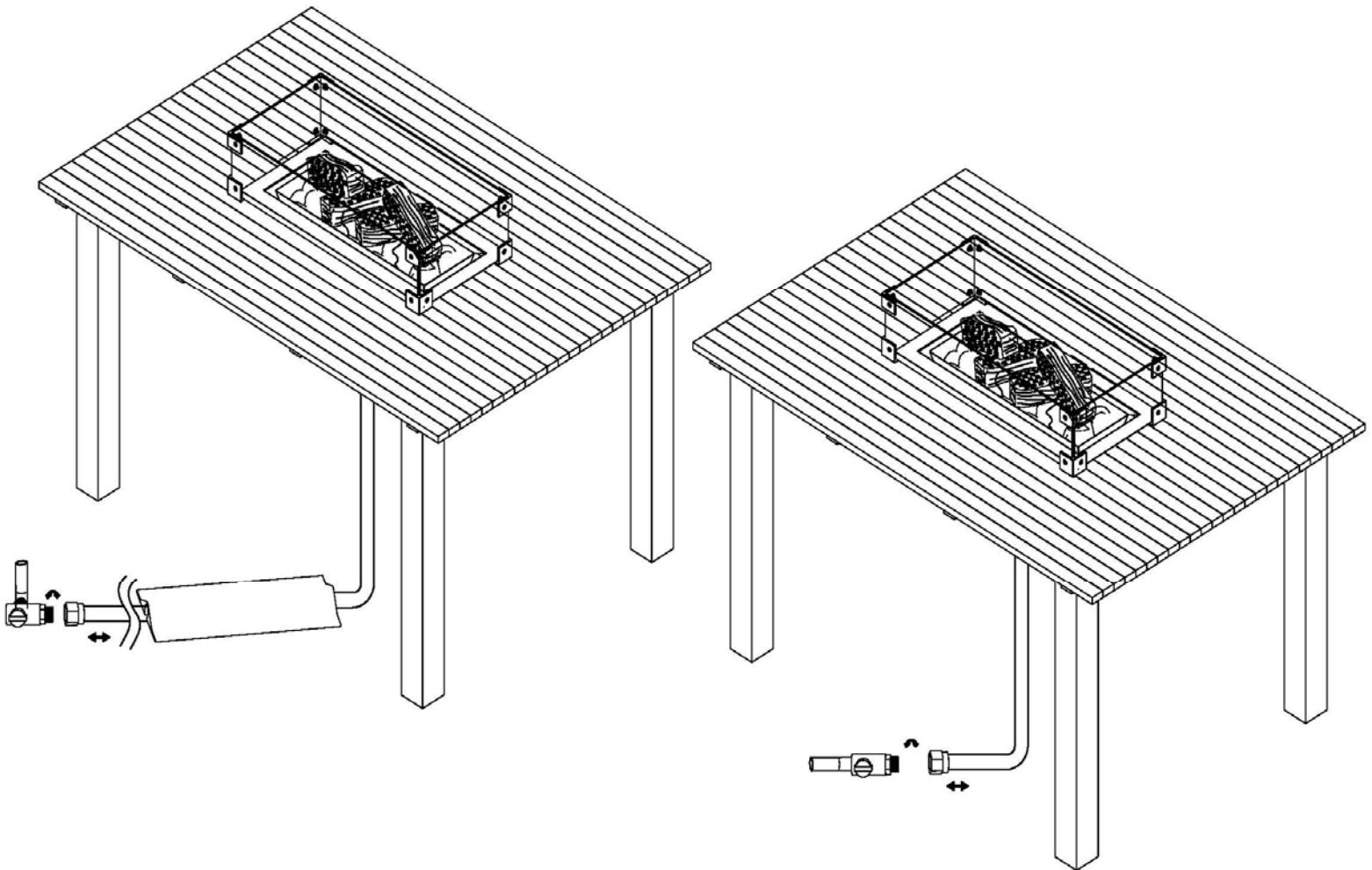
After layer the lava rocks and logs in the burner bowl, set down the glass screen kit onto the build-in gas fire burner kit as shown in the image below.



ASSEMBLY INSTRUCTIONS

INSTALLATION OF CITY NETWORK GAS

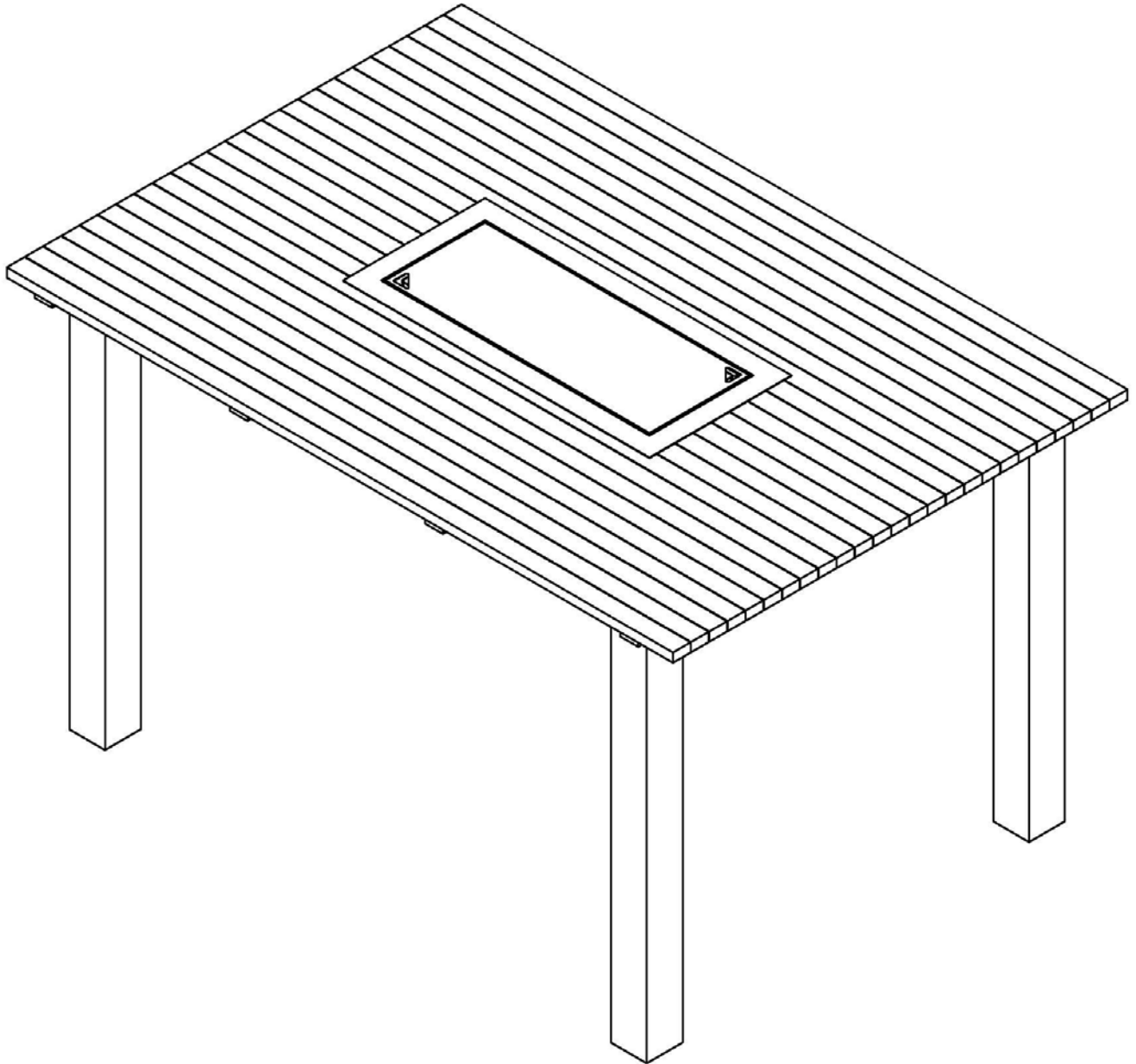
Attach the manifold inlet fitting with the national standard NG connector supplied. Connection of the NG supply to the appliance inlet should be made by a qualified installer. **Note:** For the hose exposed, please be sure to use (a) rubber/PVC layer(s) to cover on it to prevent people from stumbling. The proper rubber/PVC layers are available from the same dealer or qualified installer.



ASSEMBLY INSTRUCTIONS

INSTALLATION OF THE LID

When the appliance is not in use, disconnect and take off the logs and close the lid to use as a normal table. **NOTE:** Be sure unit is cool before touching any of the components.



NOTICE TO INSTALLER; THESE INSTRUCTIONS MUST BE CONVEYED TO AND REMAIN WITH THE HOMEOWNER

THE INSTALLATION SHALL BE UNDERTAKEN BY A COMPETENT PERSON AND IN ACCORDANCE WITH THE INSTALLATION INSTRUCTIONS.

THE METHOD OF CONNECTION AND THE INSTALLATION REGULATIONS IN THE COUNTRY WHERE THE APPLIANCE IS INSTALLED SHOULD BE FOLLOWED IF SUCH REGULATIONS EXIST.

CHANGE GAS OF ONE FAMILY TO GAS OF THE OTHER FAMILY SHOULD BE PERFORMED BY A COMPETENT PERSON.

INSTALLATION AND OPERATION INSTRUCTIONS FOR OUTDOOR BUILT-IN GAS FIRE BURNER KIT

WARNING: If the information in these instructions is not followed exactly, a fire or explosion may result causing property damage, personal injury or loss of life.

Do not store or use gasoline or other flammable vapors and liquids in the vicinity of this or any other appliance.

WHAT TO DO IF YOU CAN SMELL GAS FUMES:

Turn off the gas supply at the cylinder or main shut off valve of city network gas.

- Do not try to light any appliance.
- Do not touch any electrical switches.
- Do not use any phone, (including cellular phones)
- Immediately call your gas supplier from a neighbor's phone. Follow the gas supplier's instructions.
- If you cannot reach your gas supplier, call the fire department.

Installation and service must be performed by a qualified installer, service agency or your gas provider.

WARNING

WARNING: Improper installation, adjustment, alteration, service, or maintenance can cause injury or property damage. Read the installation, operating and maintenance instructions thoroughly before installing or servicing this equipment.

WARNING

WARNING: FOR OUTDOOR USE ONLY.

WARNING

DO NOT LEAVE ANY OUTDOOR GAS APPLIANCE UNATTENDED WHEN IN USE OR HOOKED UP TO A FUEL SUPPLY

WARNING

DISCONNECT WHEN NOT IN USE AND KEEP OUT OF REACH OF CHILDREN

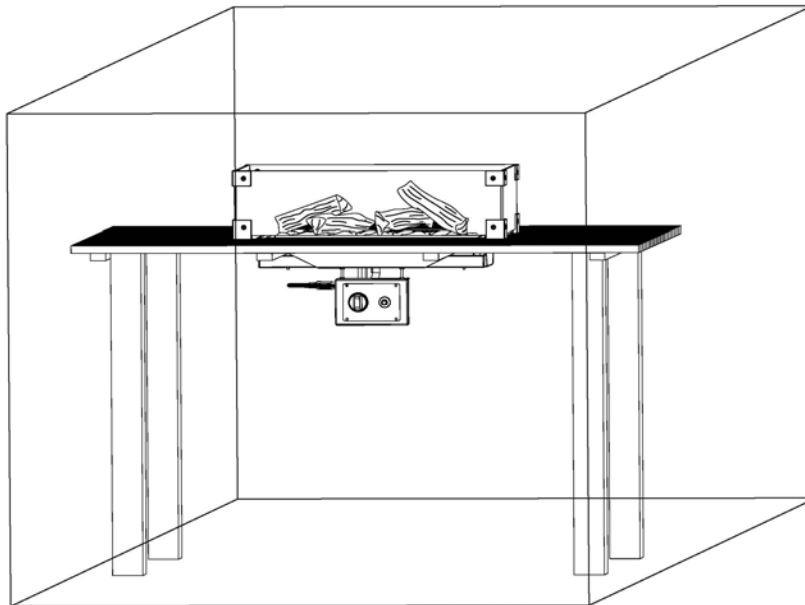
GENERAL INFORMATION

WARNING

This appliance shall be used **ONLY** outdoors in a well-ventilated space and shall **NOT** be used

inside a building, garage, or any other enclosed area.

- 1) An amply ventilated area must have a minimum of 25% of the surface area open.
- 2) The surface area is the sum of the walls surface.



WARNING

This appliance is not approved as a cooking device and should not be used as such.

WARNING

THIS UNIT IS NOT FOR USE WITH SOLID FUELS.

WARNING

Cylinders must be stored outdoors in a well-ventilated area out of reach of children. Disconnected cylinders must not be stored in a building, garage or any other enclosed area.

WARNING

Storage of this appliance indoors is permissible only if it has been disconnected from its fuel supply

Always keep the appliance area clear and free from combustible materials, gasoline, and other flammable vapors and liquids.

- ◆ Installation and repair should be done by a qualified service person. The appliance should be inspected before use and at least annually by a qualified service person. More frequent cleaning may be required as necessary. It is imperative the control compartment, burner and circulation air passageways of the appliance be kept clean and free.
- ◆ If it is evident there is excessive abrasion or wear of any of the components, if the fuel supply hose is cut or cracked, it must be replaced prior to the appliance being put into operation.
- ◆ Children and adults should be alerted to the hazards of high surface temperatures and should stay away to avoid burns or clothing ignition.
- ◆ Young children should be carefully supervised when they are in the area of the appliance.
- ◆ Clothing or other flammable materials should not be hung from the appliance, or placed on or near the appliance.
- ◆ Any guard or other protective device removed for servicing the appliance must be replaced prior to operating the appliance.
- ◆ Inspect the fuel supply connection for signs of leakage before each use of the appliance.

- ◆ The pressure regulator and hose assembly supplied with LP models must be used. Connection of the NG supply to the appliance inlet should be made by a qualified installer. Replacement pressure regulator and hose assemblies must be those specified in this manual.

To connect the gas bottle to the unit:

Appropriate Regulators are available from the same dealers, for fitting to the hose supplied with this unit.

1. Attach the hose to the manifold inlet nipple and tighten hose clip.
Ensure that all connecting threads and surfaces are undamaged, clean and free from dirt. When fitting the hose make sure that it is free from twisting, kinks or sharp bends.
.
Ensure that all connecting threads and surfaces are undamaged, clean and free from dirt. When fitting the hose make sure that it is free from twisting, kinks or sharp bends. Do not allow the hose to touch any hot surface or sharp edges.
2. Attach the regulator to the gas cylinder. Refer to the instructions supplied with the regulator for details regarding fitting.
3. Test for gas leaks. Do a leak test each time the cylinder is installed, whether or not it has been filled. Check all other joints at least once a year. If the hose shows deterioration or damage, leak test the entire outer surface, while under pressure. Replace at first sign of leak or age cracking. Remember to turn the cylinder valve OFF before removing the hose. The hose should be checked at least once per month and each time the cylinder is changed. The hose must be changed within the prescribed intervals.

To connect the city network gas to the unit:

1. Attach the hose to the manifold inlet fitting with a national standard NG connector and secure the hose to the manifold inlet fitting.
Ensure that all connecting threads and surfaces are undamaged and clean. When fitting the hose make sure that it is free from twisting, kinks or sharp bends. Protect the hose from any sharp edges.
2. Attach one end of the hose to the main shut off valve of city network gas.
3. Do a leak test each time when the gas connection is reconnected. If the hose shows deterioration or damage, leak test the entire outer surface.
Remember to turn the city network gas OFF before removing the hose.

Testing for Leaks

1. Ensure knob is OFF and open the cylinder valve.
2. Use a solution of half detergent and half water for leak testing. Brush solution on each connection and check for bubbles.
3. If a leak is present, turn off the gas supply at the cylinder or main shut off valve of city network gas and tighten the loose joint.
4. If leak persists contact an authorized agent.

INSTALLATION

The log set and crushed lava rock are shipped together on applicable models. Remove the log set and un-pack all components. Check for damage caused by freight / transport. DO NOT install damaged components. The logs are fragile use care when handling.

Place the built-in gas fire burner kit on a level/secure surface in a desired location. The location must be adjacent to the gas supply cylinder.

NOTE: Minimum clearances: 1 meter away from the appliance to combustible construction must be maintained.

You must have clear and easy access to the on/off valve AFTER the appliance is installed and connected to the gas supply in order to safely turn of the burner.

THE ON/OFF VALVE IS USED TO TURN THE BURNER ON AND OFF.

1. Cylinder should be positioned on a flat level surface near the built-in gas fire burner kit, but within the pre-described safe distance 1 meter away.
2. Make sure the tank valve is in its full off position.
3. Never attempt to use damaged or plugged equipment. See your local LP Gas Dealer for repairs.
4. Connect and tighten the end to the gas regulator with the clip.
5. When connecting regulator assembly to the tank valve, hand tighten it to a positive stop.
6. Locate the hose out of the pathways where people may trip over it or in areas where the hose may be subjected to accidental damage.
7. Open tank valve fully. Turn the on/off valve at the unit to the 'off' position to pressurize the hose assembly. Use a soapy water solution to check all the connections between the gas tank connection and the gas valve at the back of the control panel for leaks before attempting to light the appliance. If a leak is found, turn the tank valve off and do not use the appliance until repairs can be made. Note that the unit must be turned upside-down to perform this examination. It is also important to remove battery from igniter before performing any leak testing by unscrewing the push-button knob at the control panel. Perform leak test in a well ventilated area outside and where no source of spark can occur.
8. If everything is secure and leak free to this point you are ready to light your built-in gas fire burner kit. Read OPERATION instructions.

OPERATION

Upon completing the gas line connection, a small amount of air will be in the lines. When the first lighting the burner, it will take a few seconds for the lines to purge themselves of this air.

Once the purging is complete, the burner will light and operate as indicated in the instruction manual. Subsequent lighting of the appliance will not require such a purging unless the gas supply has been disconnected.

WARNING: Read and follow the safety and lighting instruction page in this manual and on the labels on the appliance.

BY NOT FOLLOWING INSTRUCTIONS, A FIRE/ EXPLOSION MAY RESULT. YOU MAY BE SERIOUSLY INJURED.

BASIC SET UP

Once the built-in gas fire burner kit is in position, level and safely hooked up to the proper fuel supply, it is now time to install the crushed lava rock. This is also an essential part of the overall set-up as it will impact the way the unit burns if not properly installed.

Layer the lava rock in level across the burner bowl. Do not completely cover burner element or block the igniter box with lava rock. Next, install the imitation fire logs. These should be laid in as shown in the image above. Start by laying one log in the centre of the unit. This log should be perpendicular to the igniter box and lay on top of the centre support bracket. Lay the other logs in a teepee configuration over the first log. It is important that the logs not lay directly on top of the burner. By blocking the burner it will impact air flow and will cause the unit to be difficult to ignite or will impact how the flame comes through and burns. Once all the logs are in place as shown you can begin next steps. **NOTE:** Be sure unit is cool before touching any of the components.

FOR YOUR SAFTY READ BEFORE LIGHTING

- A. Before operating smell all around the appliance area for gas odors and next to the floor because some gases are heavier then air and will settle on the floor.
- B. Use only your hand to turn the manual gas control valve. Never use tools. If the valve will not turn by hand, do not try to repair it. Call a qualified service technician. Force or attempted repair may result in a fire or explosion,
- C. Do not use this appliance if any part has been under water. Immediately call a qualified service technician to water.

WHAT TO DO IF YOU SMELL GAS

Turn off the gas supply at the cylinder or main shut off valve of city network gas.

- Do not try to light any appliance.
- Do not touch any electric switch; do not use any phone in your building.
- Immediately call your gas supplier from a neighbor's phone. Follow the gas supplier's instructions.
- If you cannot reach your gas supplier, call the fire department.

LIGHTING INSTRUCTIONS

1. Remove lid and locate the manual gas control valve and igniter button on the built-in gas fire burner kit.
2. Make sure fuel supply is properly connected and turned on at the source / tank.
3. Depress igniter button until you hear it sparking. You will hear a small popping noise. If you do not hear the igniter sparking you may need to replace the battery. Replace with a standard AAA battery, directly behind the rubber push button knob, (unscrew knob to access battery). Keep igniter button pushed in while pushing then turning the fuel flow valve to the position of ON/Low flow position at the built-in gas fire burner kit. The jet pilot fire should light the burner within 15 seconds; after the burner lit, release the igniter button but still keep pushing the fuel flow valve for 20 seconds to allow the thermocouple to function. After the 20 seconds, release the fuel flow valve; if the burner keeps lit, you can adjust the flame to the position of HI. However, if the flame extincts after the fuel flow valve released, Re-try and start from Step-1 again after 5 minutes.

TO TURN OFF GAS

Turn the ON/OFF valve to the off “●” position at the unit, then turn the valve on the LP tank, or the main shut off valve of natural gas system, to the **OFF** position.

MAINTENANCE

1. The appliance should be inspected before initial use and inspected and cleaned at least annually by a qualified service person.

2. Tampering is **DANGEROUS** and voids all warranties. Any component that is found to be faulty, must be replaced with an approved component.
3. To obtain proper operation, it is imperative that the burner flame characteristics are constant, not lifting or floating. For a clean burn the unit is designed to run at full flow. If not operating at full fuel flow black smoke may start to occur. Always operate at full fuel flow to burn clean and prevent smoke. Dirty logs can be easily cleaned off with water and light soap.
4. Periodically remove the logs and examine the burner and its components. If dirty, clean with a soft brush and soapy water solution. Also examine the area around the burner. Any dirt or foreign material, such as spider webs or nests in this area should be removed. This will ensure long life, safe and trouble free operation.
5. Periodically check the hose connecting the LP gas cylinder or city network gas to ensure it is not cracked or damaged in any way.

INSPECTION AFTER REPAIR

Any repairs must be performed by a qualified installer, service agency or your gas provider.

1. Check all the joints.
2. Smell all around the appliance area for gas odors and test for gas leaks according to **Testing for Leaks** on page 13.
3. Light the appliance according to the **LIGHTING INSTRUCTIONS** on page 15.

NOTE: Carbon (soot) may built up on the surface of the logs over time or with extended use. This is more likely to occur when using LP gas. The soot should be cleaned off the surfaces of the imitation logs periodically to prevent excessive build up. To clean the logs, be sure the fire is out, the gas supply is turned off and the logs are cool to the touch. The soot can then be brushed off with a dry bristle brush or cloth. Take care while cleaning the logs as they can become damaged if mishandled. Care should be taken to dispose of the soot and the cleaning materials properly. Keep away from clothing and outdoor furniture.

During the cold winter months or in colder climates, it is recommended to disconnect the built-in gas fire burner kit and cover the lid.

Distributor:



HAPPY COCOONING

COCOON TABLES

HAPPY COCOONING B.V.

Provinciënbaan 1

5121 DK Rijen

The Netherlands

Tel: +31 (0) 161 750270

Fax: +31 (0) 161 750375